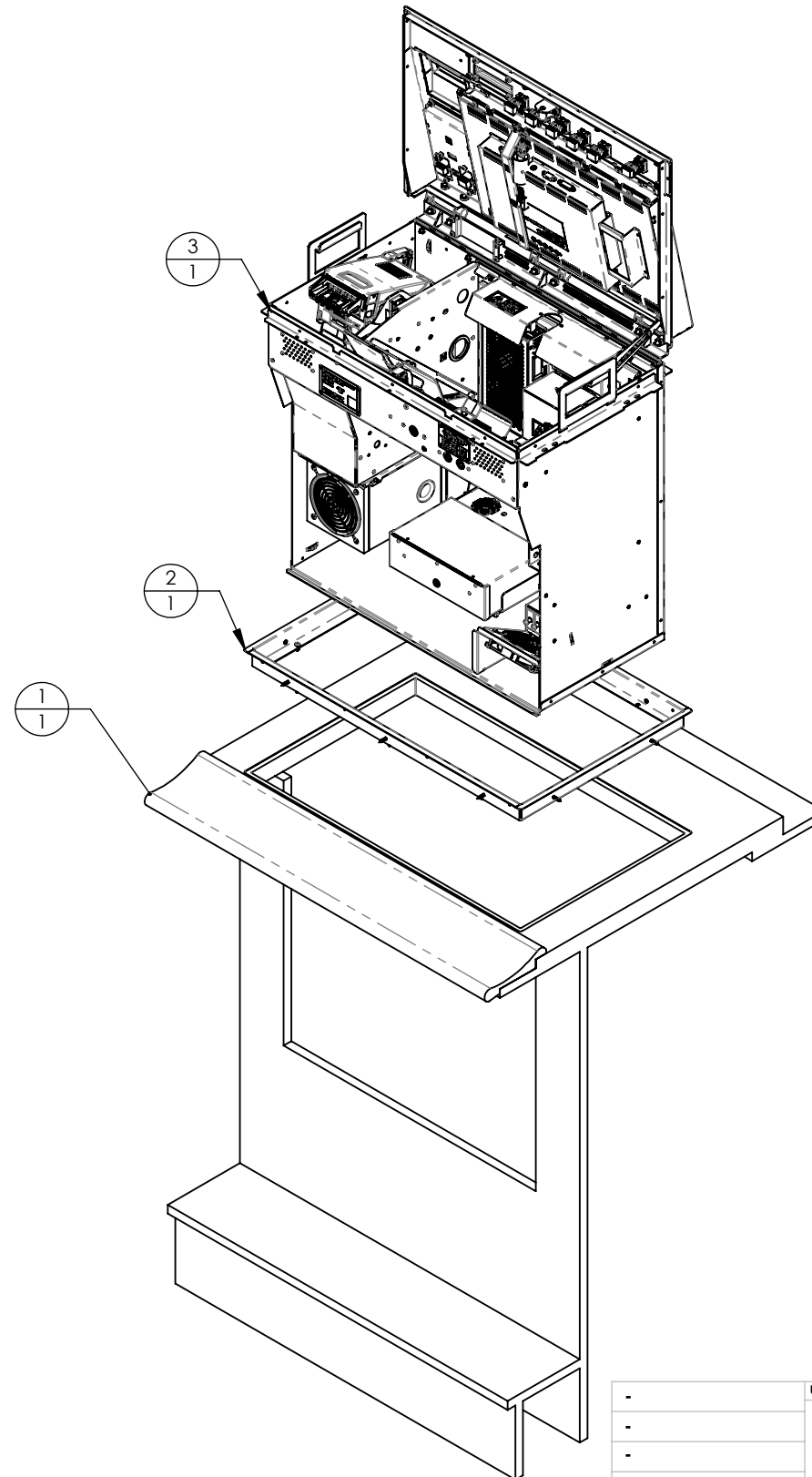
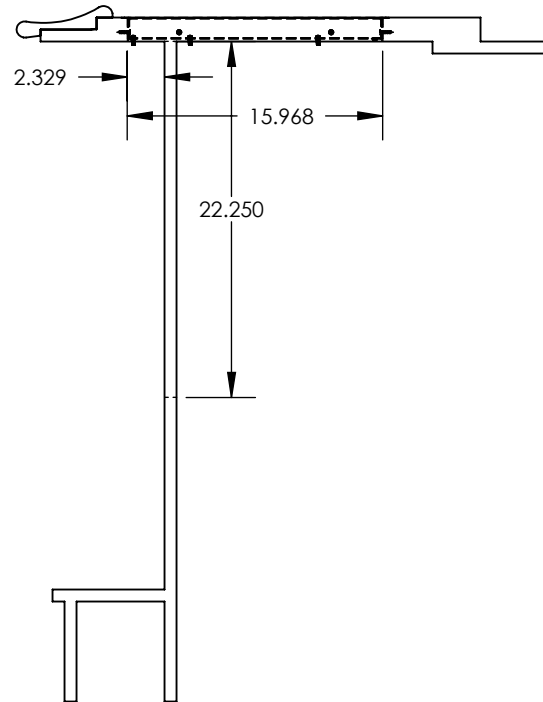
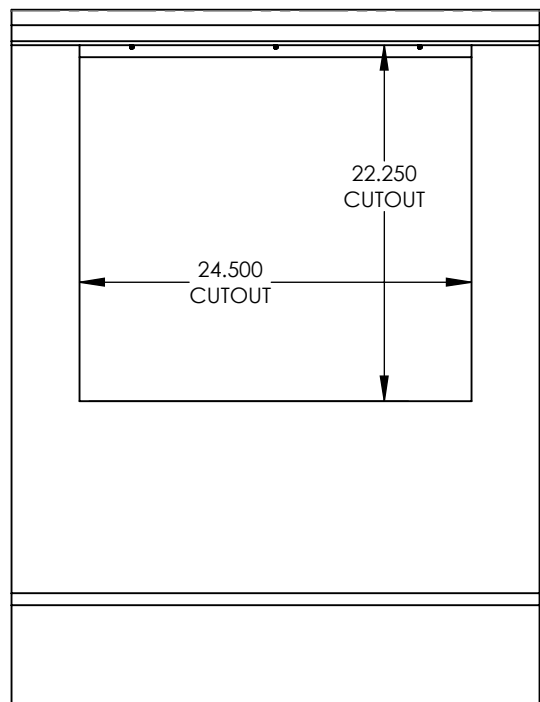
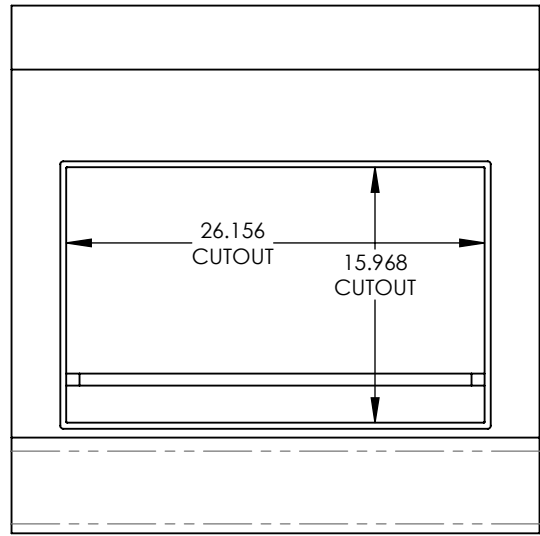


ITEM NO.	QTY.	PART NO.	DESCRIPTION
1	1	2600-BAR TOP COUNTER	TYPICAL BAR TOP PREPERATION FOR INSTALL
2	1	2600-01-058	INSTALLATION KIT, 2600-2800 BAR TOP
3	1	C-2600-WXXXL-GCO01	BAR TOP, 20.1 LCD W/QX-40, WIN SYS P/T AND PRINTER



PROPRIETARY AND CONFIDENTIAL
 THE INFORMATION CONTAINED IN THIS
 DRAWING IS THE SOLE PROPERTY OF
 COLE KESPRO INTERNATIONAL, LLC. ANY
 REPRODUCTION IN PART OR AS A WHOLE
 WITHOUT THE WRITTEN PERMISSION OF
 COLE KESPRO INTERNATIONAL, LLC. IS
 PROHIBITED.

-	UNLESS OTHERWISE SPECIFIED: DIMENSIONS ARE IN INCHES				
-	TOLERANCES: FEATURES SAME PLANE: ±0.005 ANGULAR: ±1/2° BENDS: ±0.005 ALL OTHER DIMS: ±0.010				
-	MATERIAL C-2800	SEE DETAIL DRAWINGS			
-	FINISH C-2600	NONE			
-	NOTES				
-	FINISH SUFFIX				
	NEXT ASSEMBLIES				
	DO NOT SCALE DRAWING				
				SIZE C	DWG. NO. 2600-BAR TOP INSTALLATION
					REVISION A00
					SHEET 1 OF 1

